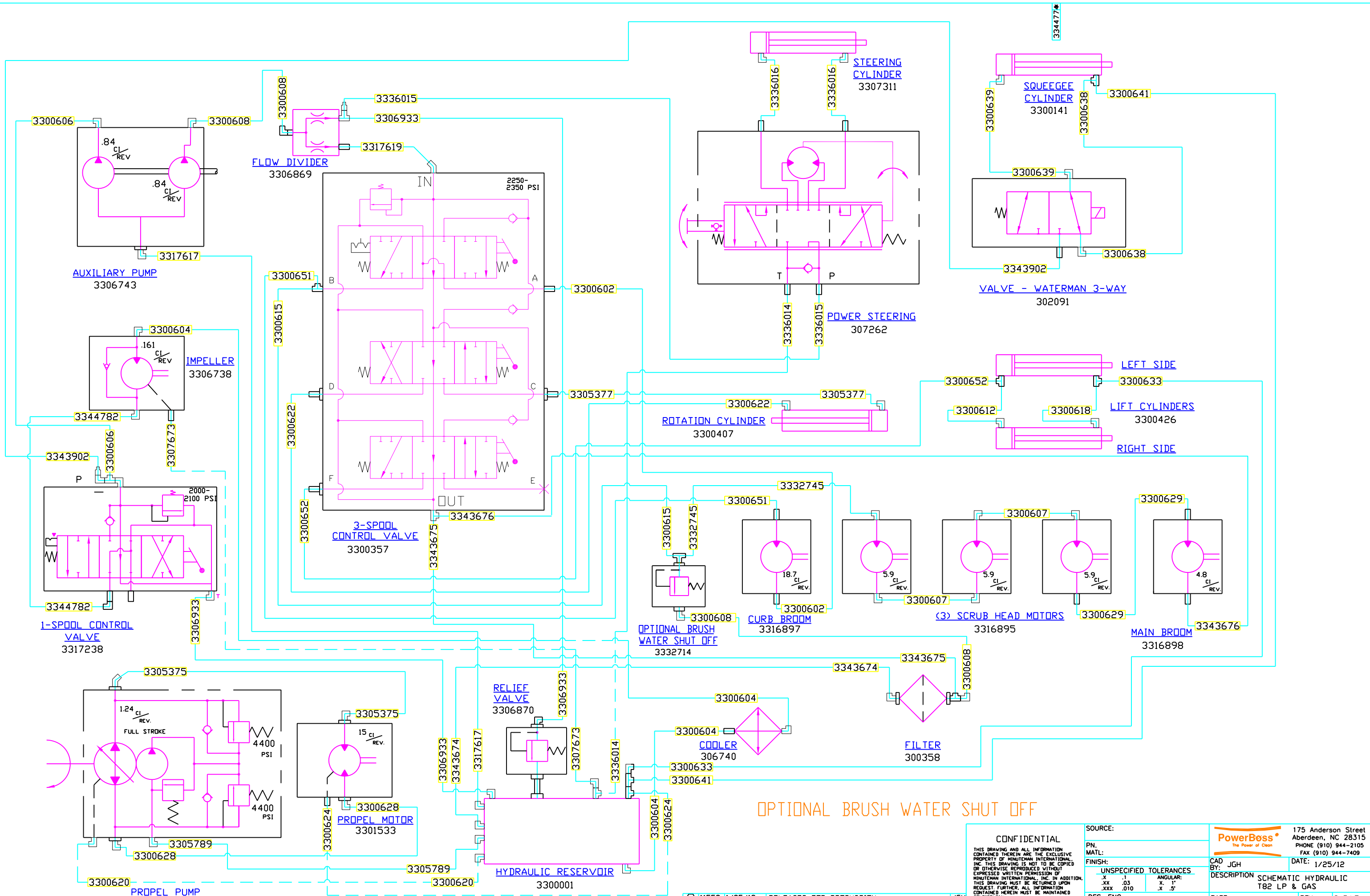


CONFIDENTIAL THIS DRAWING AND ALL INFORMATION CONTAINED THEREIN ARE THE EXCLUSIVE PROPERTY OF MINUTEMAN INTERNATIONAL, INC. THIS DRAWING IS NOT TO BE COPIED OR OTHERWISE REPRODUCED WITHOUT EXPRESSED WRITTEN PERMISSION OF MINUTEMAN INTERNATIONAL, INC. IN ADDITION, THIS DRAWING MUST BE RETURNED UPON REQUEST. FURTHER, ALL INFORMATION CONTAINED HEREIN MUST BE MAINTAINED CONFIDENTIAL.	SOURCE:	 175 Anderson Street Aberdeen, NC 28315 PHONE (910) 944-2105 FAX (910) 944-7409
	PN. MATL:	
	FINISH:	CAD JGH DATE: 1/25/12
	UNSPECIFIED TOLERANCES .X .1 ANGLAR: .XX .03 X 1' .XXX .010 X .5'	DESCRIPTION SCHEMATIC HYDRAULIC T82 LP & GAS
DES. ENG:	PART NO. 3344774	REV * 1 of 7
ENG. REL:		

11559 1/25/12 RELEASED FOR PRODUCTION JGH
 REV ECN # DATE DESCRIPTION OF CHANGE-IS (WAS) BY:

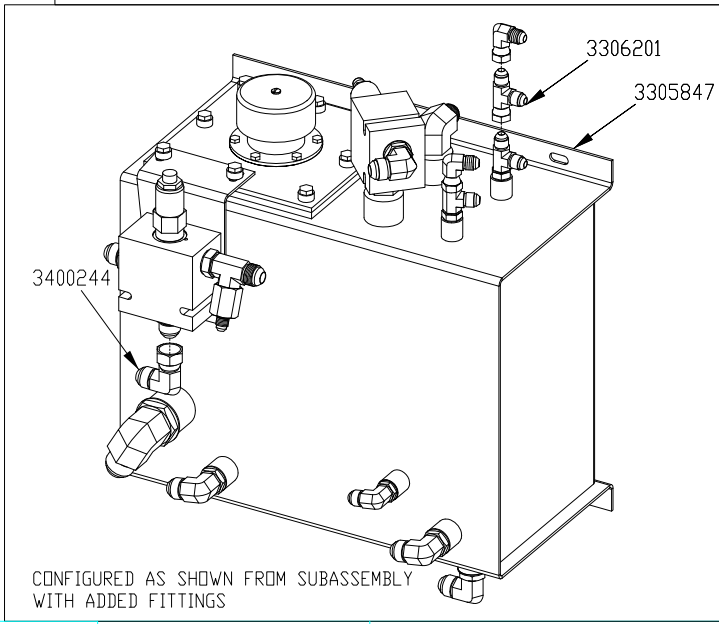
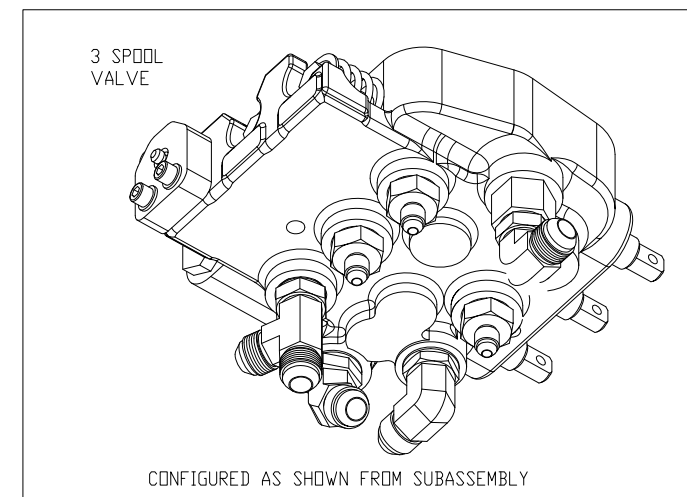
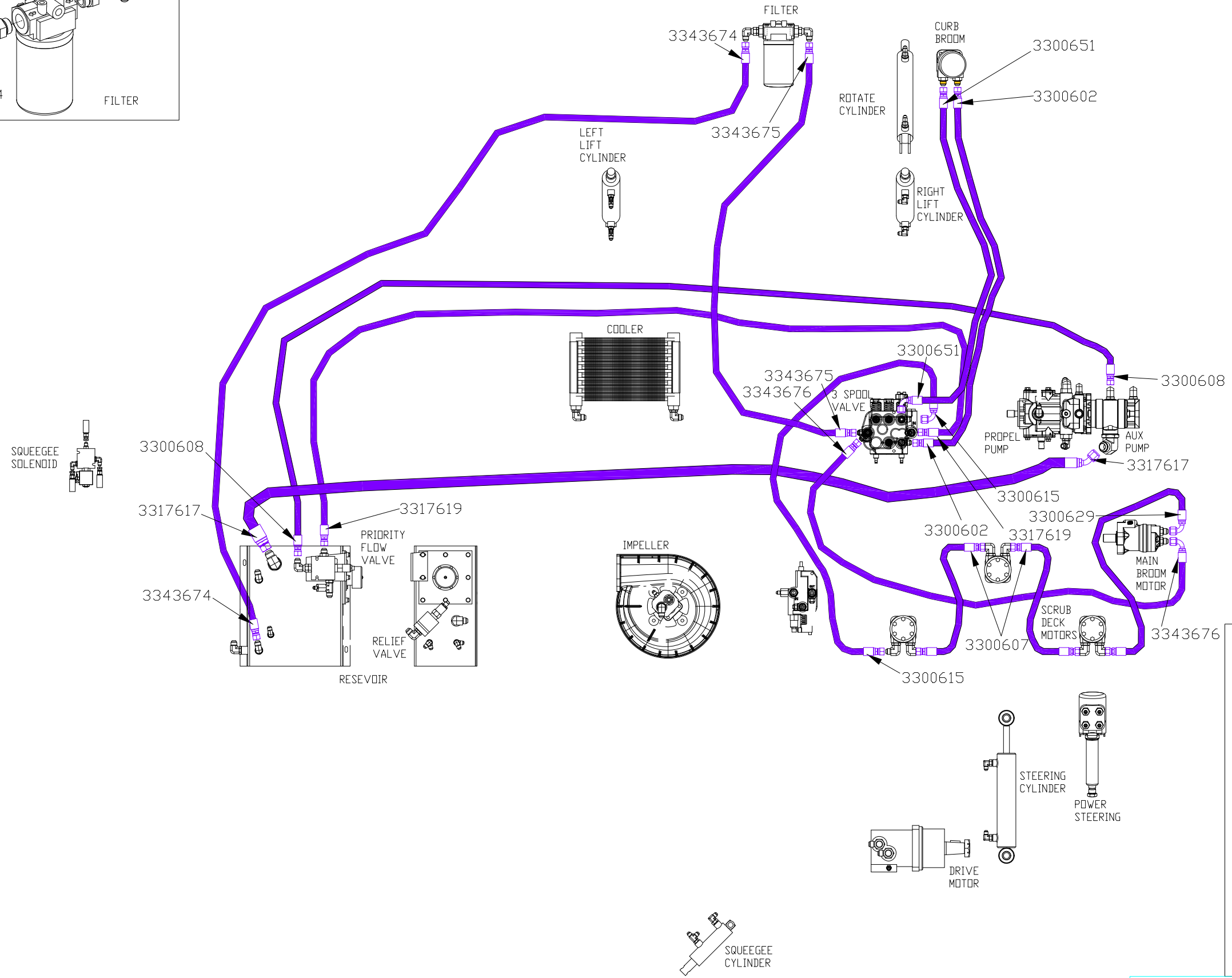
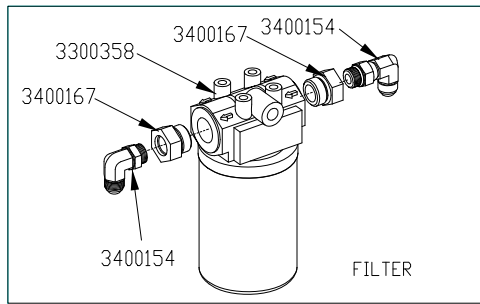


OPTIONAL BRUSH WATER SHUT OFF

CONFIDENTIAL		SOURCE:				175 Anderson Street Aberdeen, NC 28315 PHONE (910) 944-2105 FAX (910) 944-7409	
PN:	3344774	MATL:		CAD BY:	JGH	DATE:	1/25/12
FINISH:		UNSPECIFIED TOLERANCES		DESCRIPTION		SCHEMATIC HYDRAULIC	
	.X .1	ANGULAR:		T82 LP & GAS			
	.XX .03	.X .1					
	.XXX .010	.X .5					
DES. ENG:		PART NO.:	3344774	REV:	*	SHT NO.:	2 of 7
ENG. REL:							

11559	1/25/12	RELEASED FOR PRODUCTION	JGH
REV	ECN #	DATE	DESCRIPTION OF CHANGE-IS (WAS)
			BY:

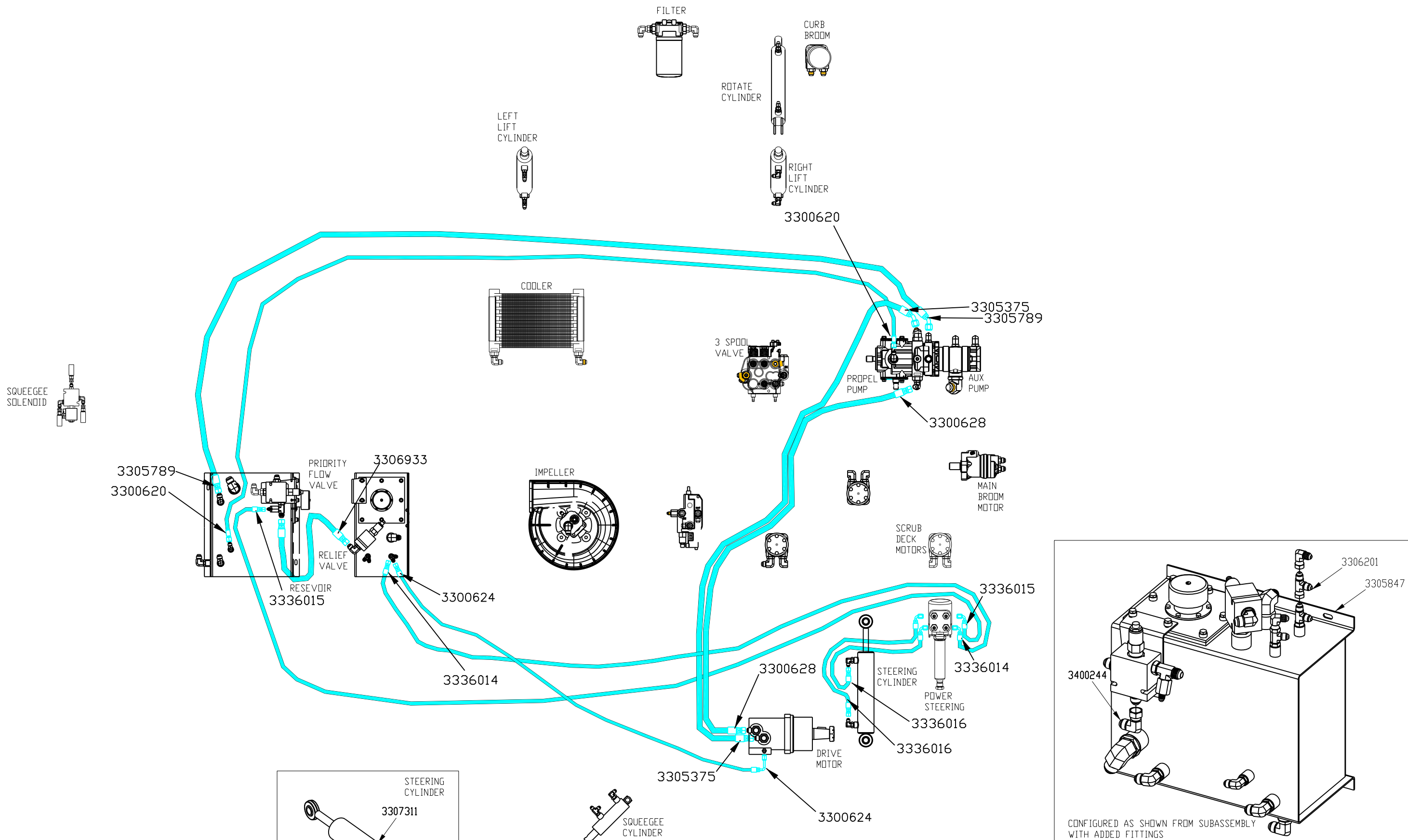
334477



BROOM AND SCRUB FUNCTIONS

(*) 11559	1/25/12	RELEASED FOR PRODUCTION	JGH
REV	ECN #	DATE	DESCRIPTION OF CHANGE-IS (WAS) BY:

CONFIDENTIAL		SOURCE:		175 Anderson Street Aberdeen, NC 28315	
THIS DRAWING AND ALL INFORMATION CONTAINED THEREIN ARE THE EXCLUSIVE PROPERTY OF MINUTEMAN INTERNATIONAL, INC. THIS DRAWING IS NOT TO BE COPIED OR OTHERWISE REPRODUCED WITHOUT EXPRESSED WRITTEN PERMISSION OF MINUTEMAN INTERNATIONAL, INC. IN ADDITION, THIS DRAWING MUST BE RETURNED UPON REQUEST. FURTHER, ALL INFORMATION CONTAINED HEREIN MUST BE MAINTAINED CONFIDENTIAL.		PN: MATL: FINISH:		PowerBoss The Power of Clean	
UNSPECIFIED TOLERANCES		CAD BY: JGH		DATE: 1/25/12	
.X .1 .XX .03 .XXX .010		ANGULAR: X .1 X .5		DESCRIPTION SCHEMATIC HYDRAULIC T82 LP & GAS	
DES. ENG:		PART NO. 3344774		REV LEV * 3 of 7	
ENG. REL:		REV LEV *		SHT NO. 3 of 7	

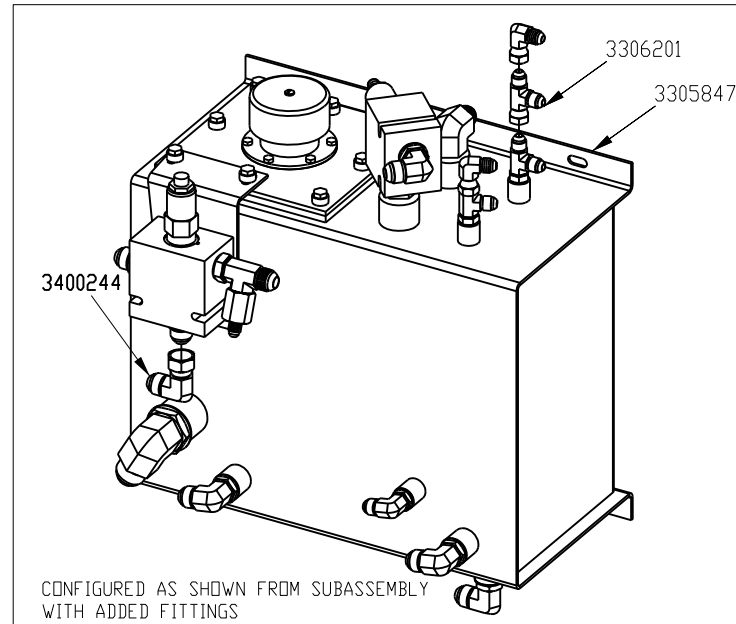
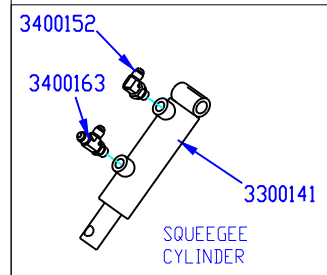
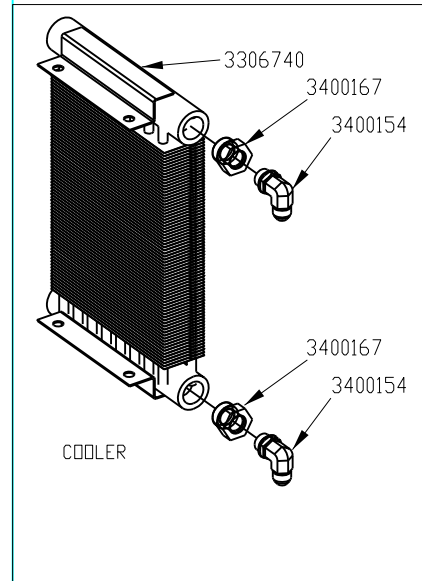
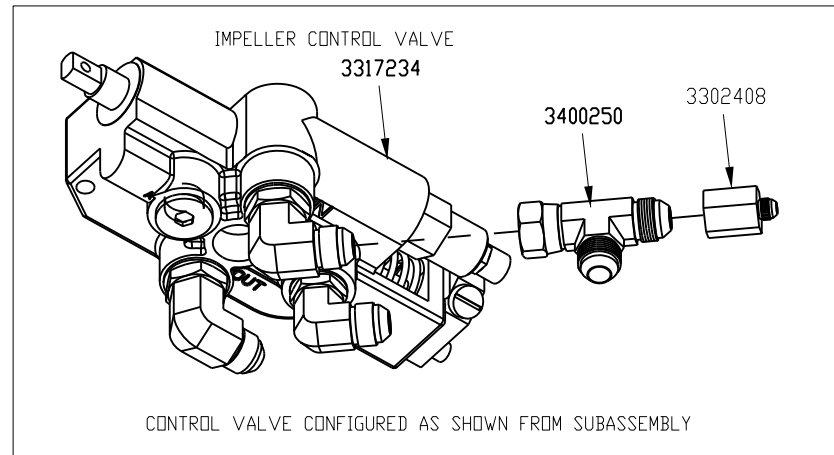
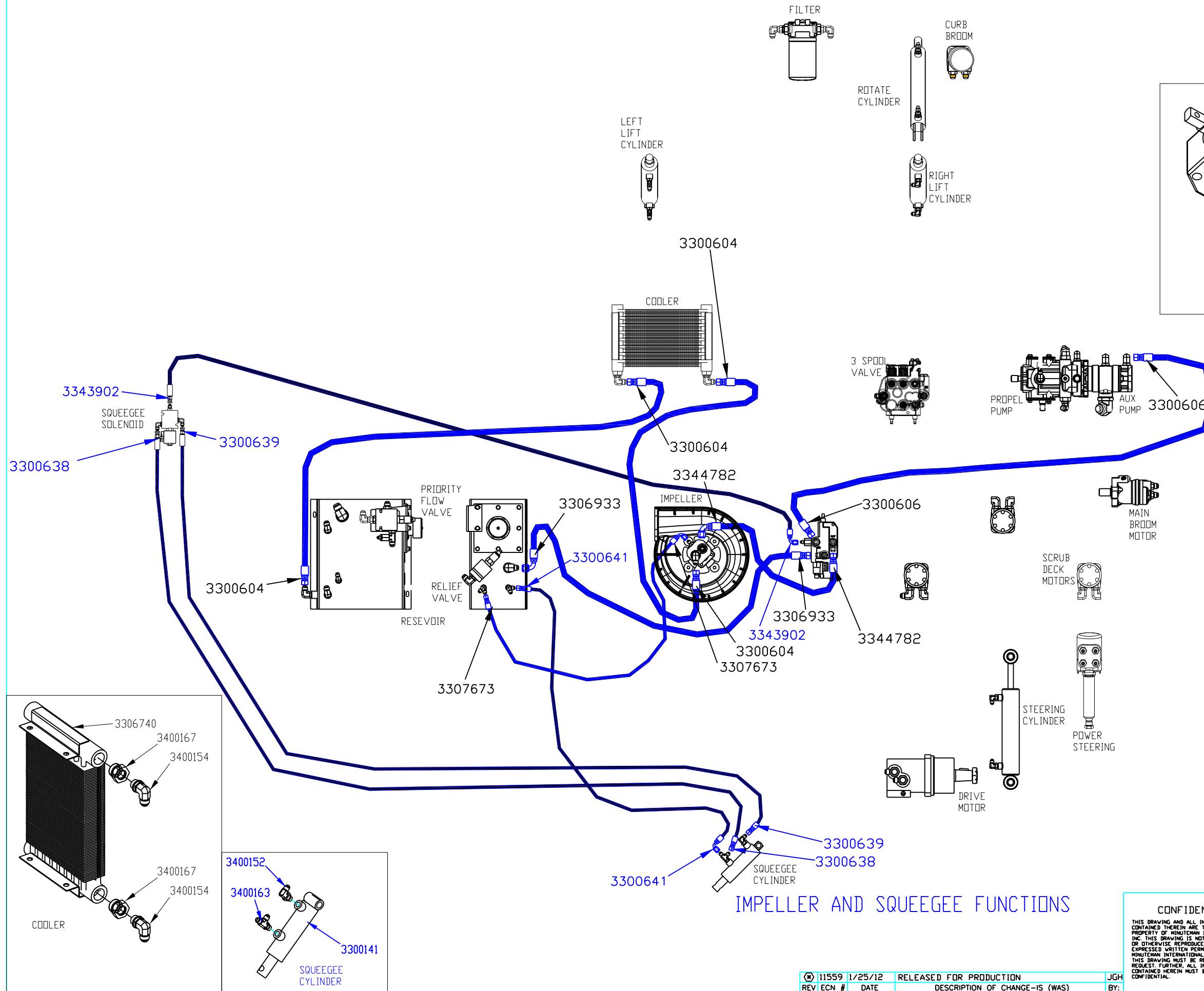


DRIVE AND STEERING FUNCTIONS

CONFIGURED AS SHOWN FROM SUBASSEMBLY WITH ADDED FITTINGS

CONFIDENTIAL		SOURCE:		175 Anderson Street Aberdeen, NC 28315	
THIS DRAWING AND ALL INFORMATION CONTAINED HEREIN ARE THE EXCLUSIVE PROPERTY OF MINUTEMAN INTERNATIONAL, INC. THIS DRAWING IS NOT TO BE COPIED OR OTHERWISE REPRODUCED WITHOUT EXPRESS WRITTEN PERMISSION OF MINUTEMAN INTERNATIONAL, INC. IN ADDITION, THIS DRAWING MUST BE RETURNED UPON REQUEST. FURTHER, ALL INFORMATION CONTAINED HEREIN MUST BE MAINTAINED CONFIDENTIAL.		PN. MATL:		PHONE (910) 944-2105	
FINISH:		UNSPECIFIED TOLERANCES		FAX (910) 944-7409	
.X .1		ANGULAR:		DATE: 1/25/12	
.XX .03		X .1"		DESCRIPTION SCHEMATIC HYDRAULIC	
.XXX .010		X .5"		T82 LP & GAS	
DES. ENG:		PART NO. 3344774		REV * SHT NO.	
ENG. REL:		REV * 4		4 of 7	

11559	1/25/12	RELEASED FOR PRODUCTION	JGH
REV	ECN #	DATE	DESCRIPTION OF CHANGE--IS (WAS)
			BY:

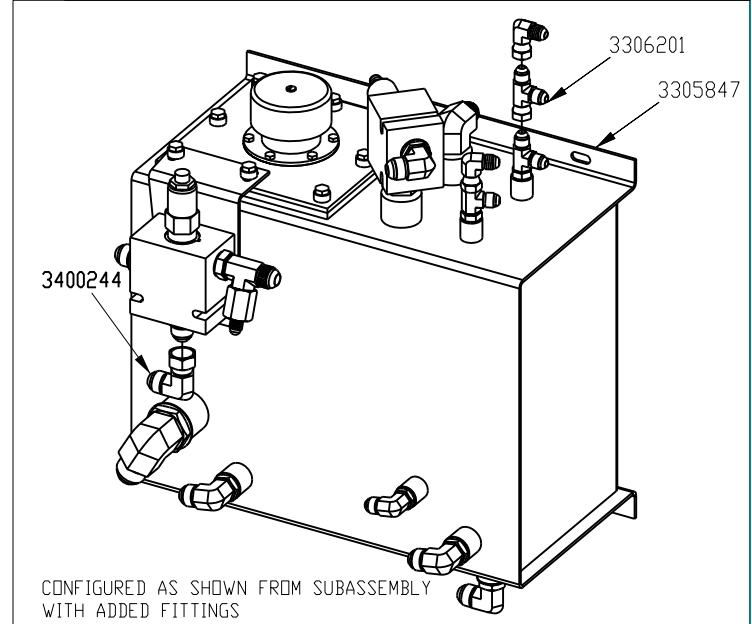
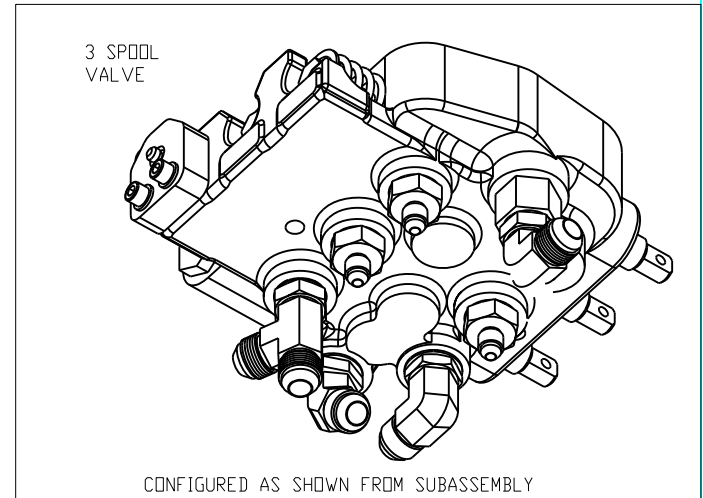
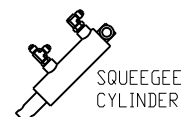
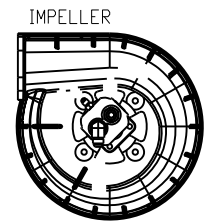
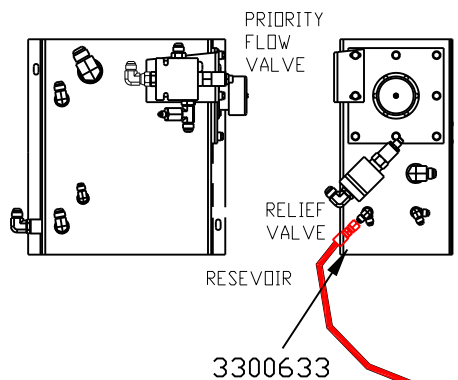
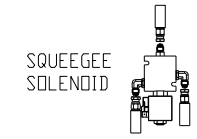
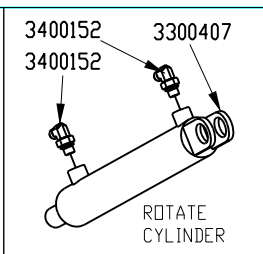
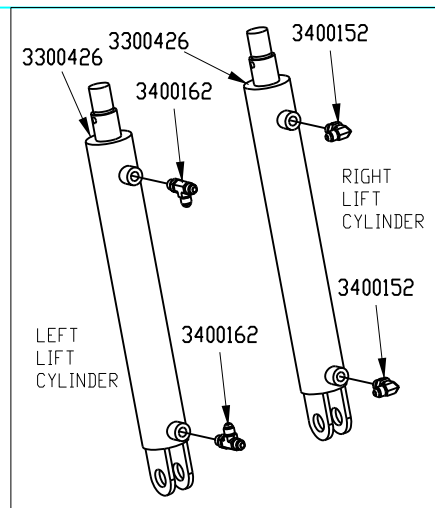
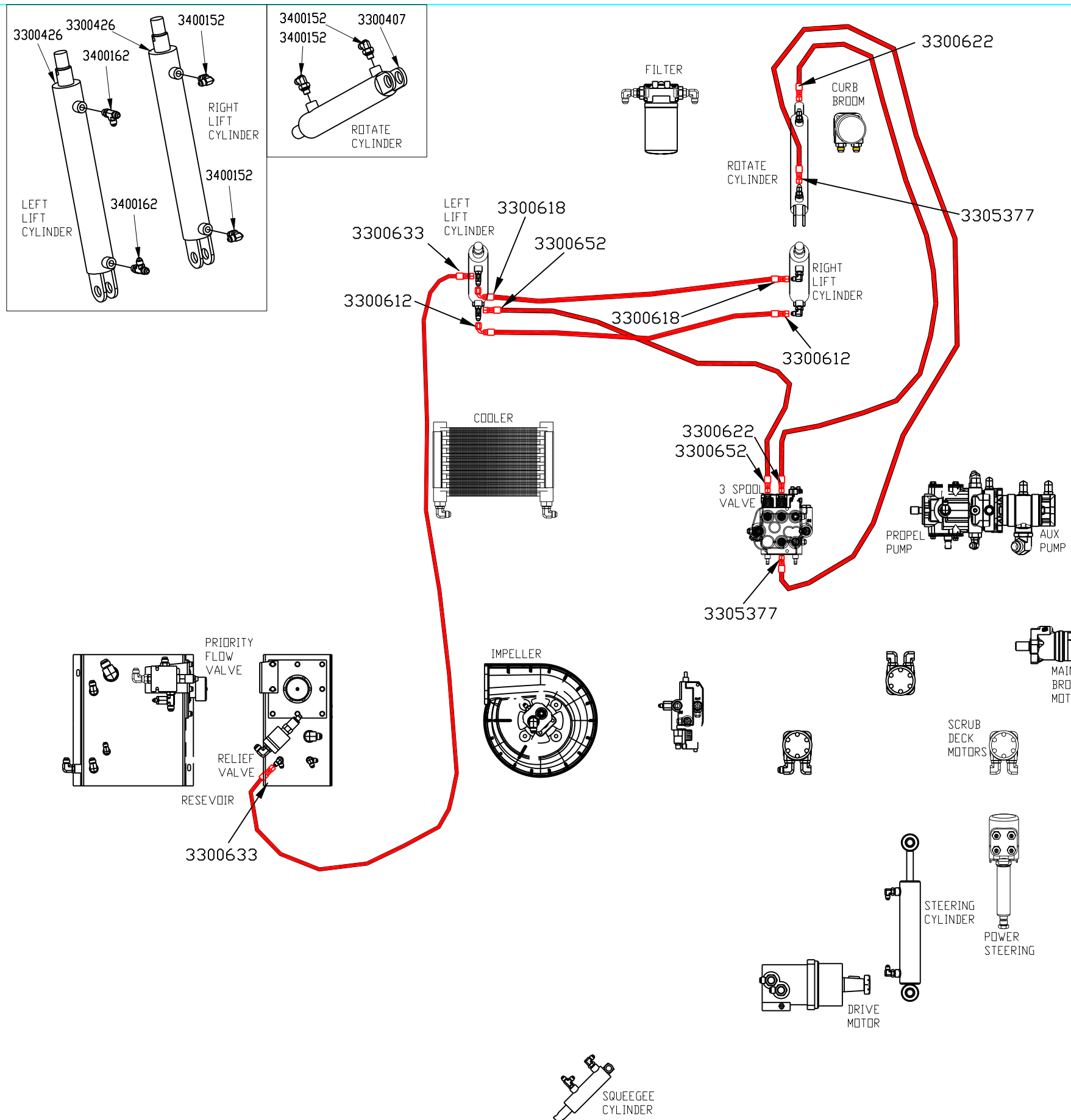


IMPELLER AND SQUEEGEE FUNCTIONS

CONFIDENTIAL THIS DRAWING AND ALL INFORMATION CONTAINED THEREIN ARE THE EXCLUSIVE PROPERTY OF MINUTEMAN INTERNATIONAL, INC. THIS DRAWING IS NOT TO BE COPIED OR OTHERWISE REPRODUCED WITHOUT EXPRESSED WRITTEN PERMISSION OF MINUTEMAN INTERNATIONAL, INC. IN ADDITION, THIS DRAWING MUST BE RETURNED UPON REQUEST FURTHER, ALL INFORMATION CONTAINED HEREIN MUST BE MAINTAINED CONFIDENTIAL.		SOURCE:	PowerBoss The Power of Clean	175 Anderson Street Aberdeen, NC 28315 PHONE (910) 944-2105 FAX (910) 944-7409
PN:	MATL:	FINISH:	UNSPECIFIED TOLERANCES:	CAD BY: JGH
.X	.1	ANGULAR:	X .1"	DATE: 1/25/12
.XX	.03	X .1"	X .5"	DESCRIPTION: SCHEMATIC HYDRAULIC T82 LP & GAS
.XXX	.010	X .5"		PART NO. 3344774
DES. ENG:	ENG. REL:	REV NO.:	REV *:	SHT NO. 5 of 7

11559	1/25/12	RELEASED FOR PRODUCTION	JGH
REV	ECN #	DATE	BY:
		DESCRIPTION OF CHANGE-IS (WAS)	

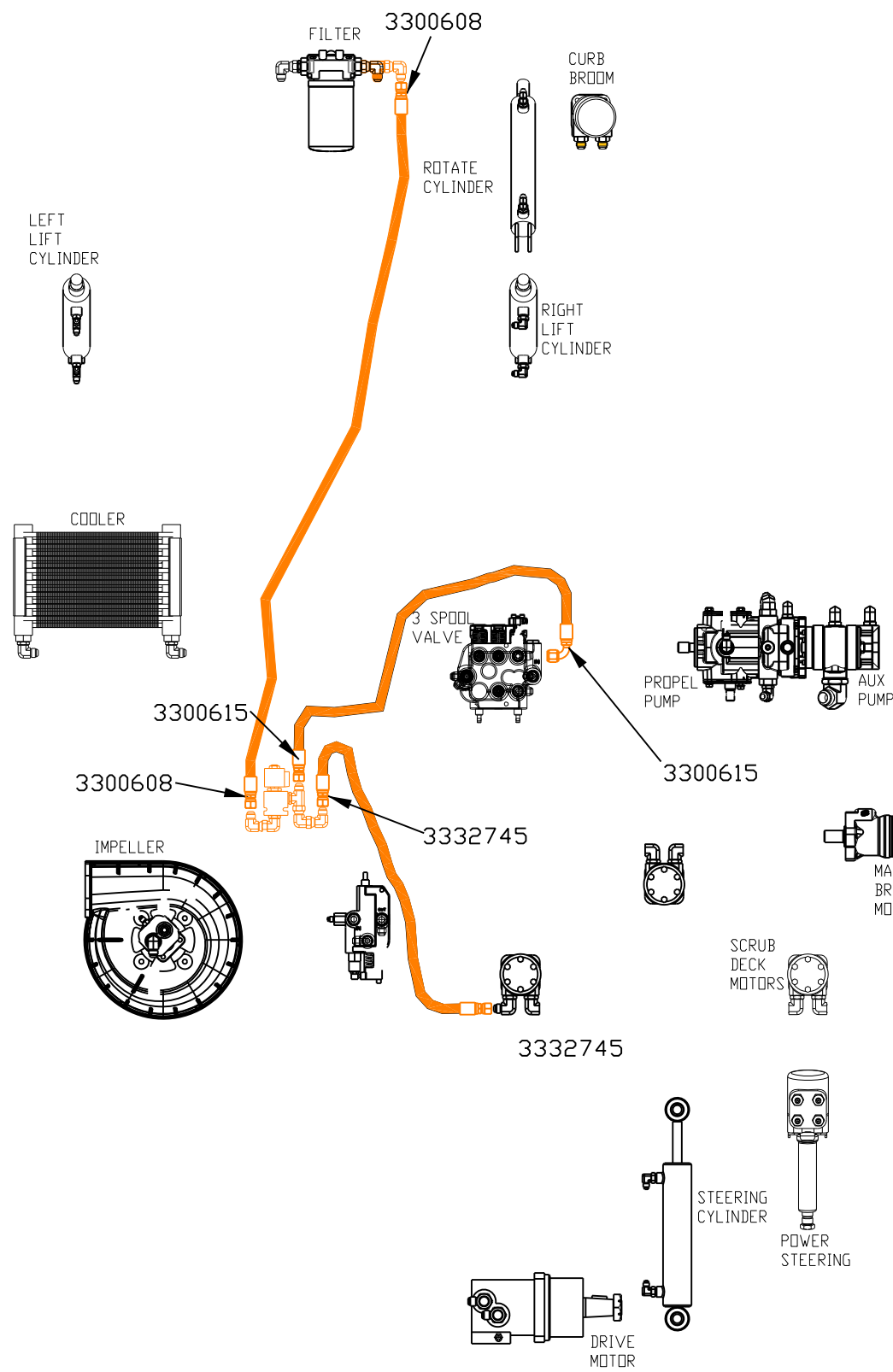
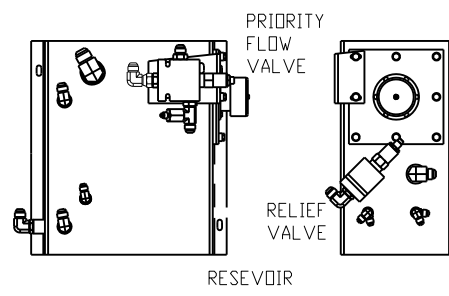
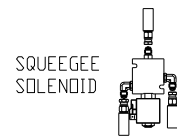
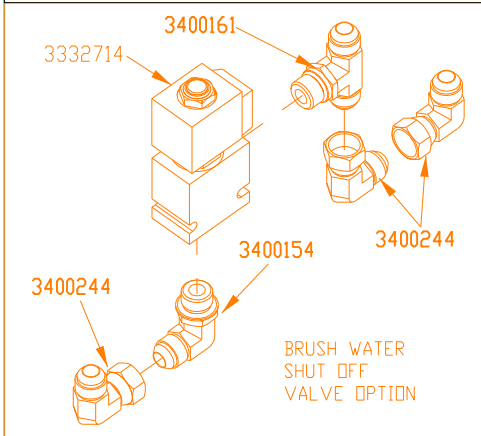
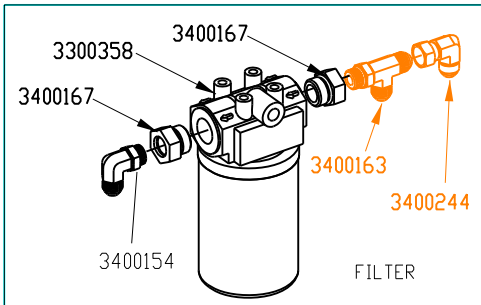
334477*



LIFT AND ROTATE FUNCTIONS

<p>CONFIDENTIAL</p> <p>THIS DRAWING AND ALL INFORMATION CONTAINED THEREIN ARE THE EXCLUSIVE PROPERTY OF MINUTEMAN INTERNATIONAL, INC. THIS DRAWING IS NOT TO BE COPIED OR OTHERWISE REPRODUCED WITHOUT EXPRESSED WRITTEN PERMISSION OF MINUTEMAN INTERNATIONAL, INC. IN ADDITION, THIS DRAWING MUST BE RETURNED UPON REQUEST. FURTHER, ALL INFORMATION CONTAINED HEREIN MUST BE MAINTAINED CONFIDENTIAL.</p>	SOURCE:	<p>PowerBess The Power of Clean</p> <p>175 Anderson Street Aberdeen, NC 28315 PHONE (910) 944-2105 FAX (910) 944-7409</p>	
	PN. MATL:		
	FINISH:	CAD BY: JGH	DATE: 1/25/12
	<p>UNSPECIFIED TOLERANCES</p> <p>.X .1 ANGULAR: .XX .03 X .1 .XXX .010 X .5</p>	DESCRIPTION	SCHEMATIC HYDRAULIC T82 LP & GAS
DES. ENG:	PART NO. 3344774	REV * 6	SHT NO. 6 of 7
ENG. REL:			

11559	1/25/12	RELEASED FOR PRODUCTION	JGH
REV ECN #	DATE	DESCRIPTION OF CHANGE-IS (WAS)	BY:



OPTIONAL BRUSH WATER SHUT OFF

11559	1/25/12	RELEASED FOR PRODUCTION	JGH
REV	ECN #	DATE	DESCRIPTION OF CHANGE-IS (WAS)
			BY:

CONFIDENTIAL
THIS DRAWING AND ALL INFORMATION CONTAINED THEREIN ARE THE EXCLUSIVE PROPERTY OF MINUTEMAN INTERNATIONAL, INC. THIS DRAWING IS NOT TO BE COPIED OR OTHERWISE REPRODUCED WITHOUT EXPRESS WRITTEN PERMISSION OF MINUTEMAN INTERNATIONAL, INC. IN ADDITION, THIS DRAWING MUST BE RETURNED UPON REQUEST. FURTHER, ALL INFORMATION CONTAINED HEREIN MUST BE MAINTAINED CONFIDENTIAL.

SOURCE:	175 Anderson Street Aberdeen, NC 28315 PHONE (910) 944-2105 FAX (910) 944-7409
PN:	
MATL:	
FINISH:	UNSPECIFIED TOLERANCES
	.X .1 ANGULAR: .XX .03 X 1" .XXX .010 X .5"
DES. ENG:	
ENG. REL:	
CAD JGH	DATE: 1/25/12
DESCRIPTION	SCHEMATIC HYDRAULIC T82 LP & GAS
PART NO.	3344774
REV LEV *	7 of 7
SHT NO.	